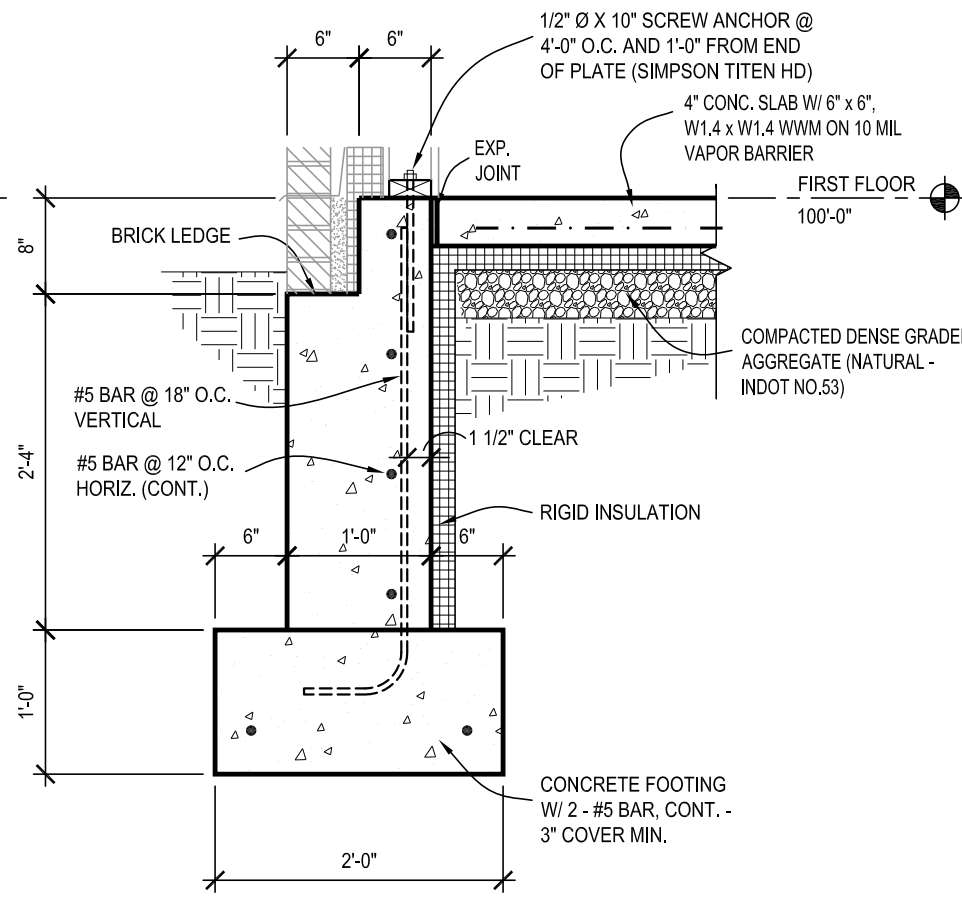
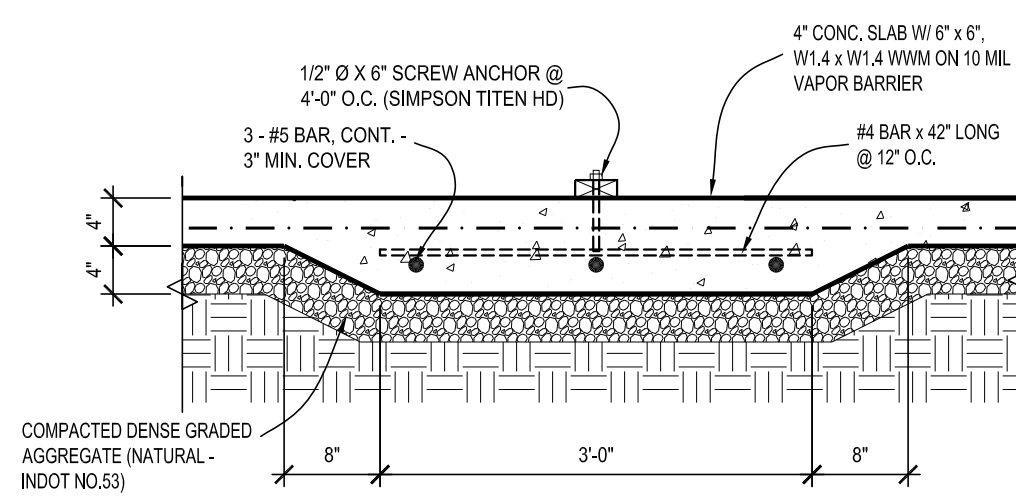


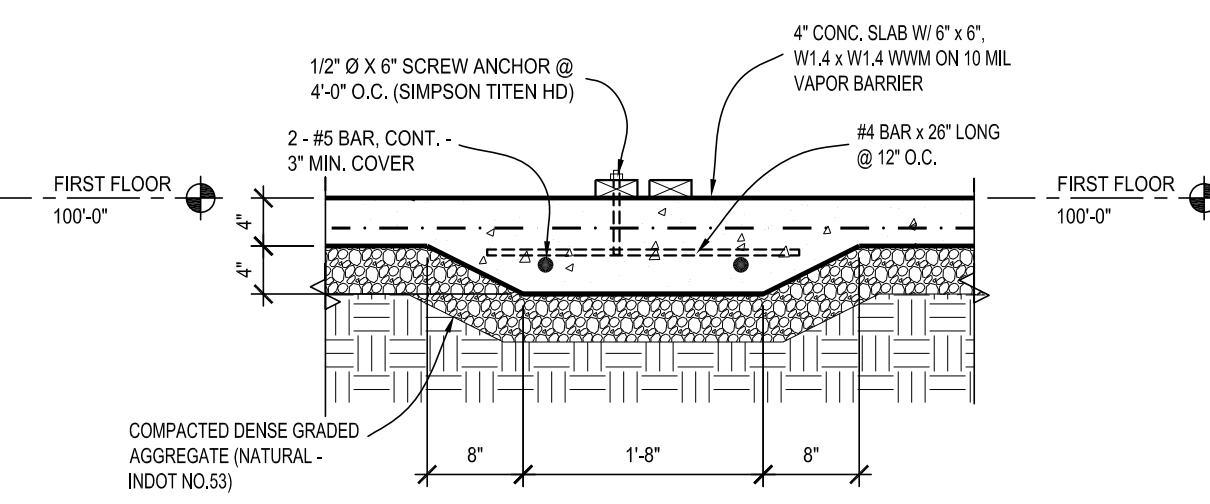
W1 WALL/FTG. SECTION
3/4" = 1'-0"



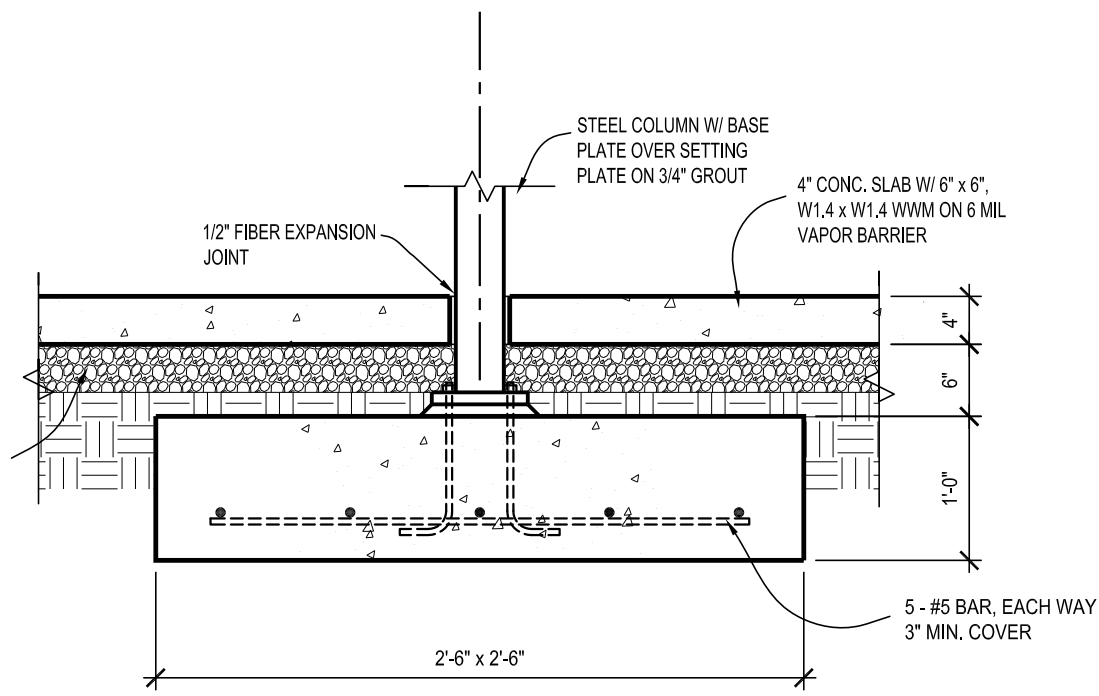
W2 WALL/FTG. SECTION
3/4" = 1'-0"



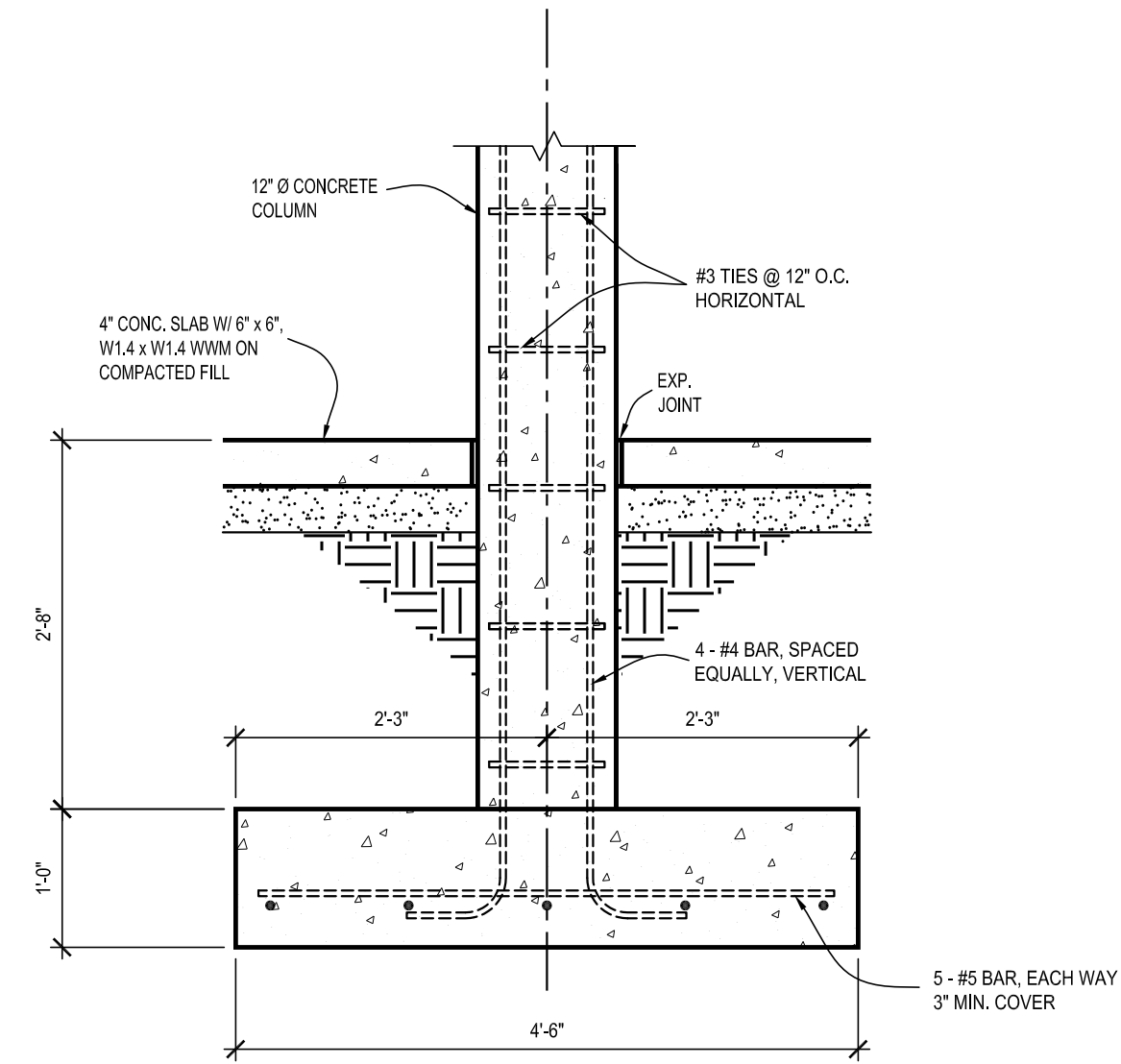
W3 WALL/FTG. SECTION
3/4" = 1'-0"



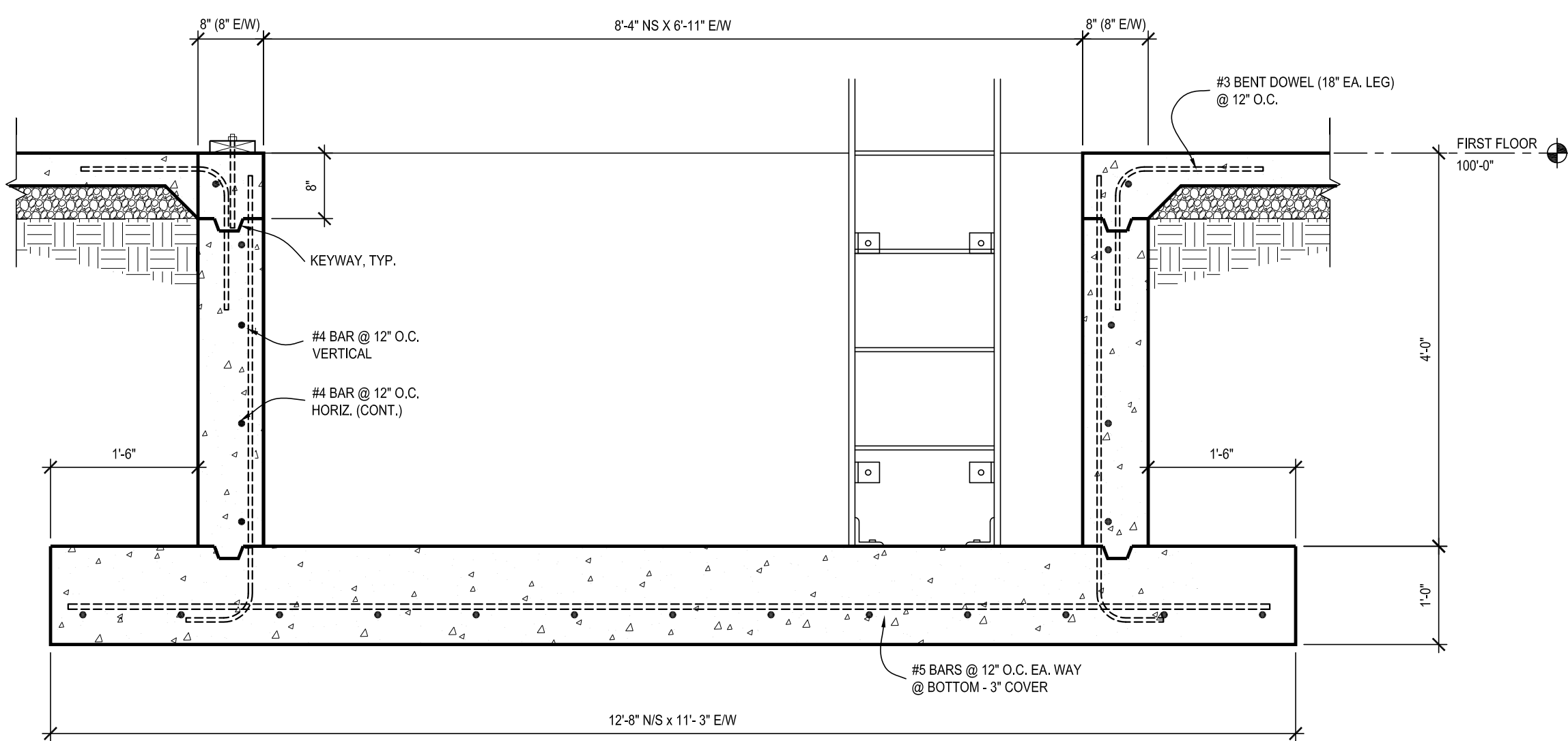
W4 WALL/FTG. SECTION
3/4" = 1'-0"



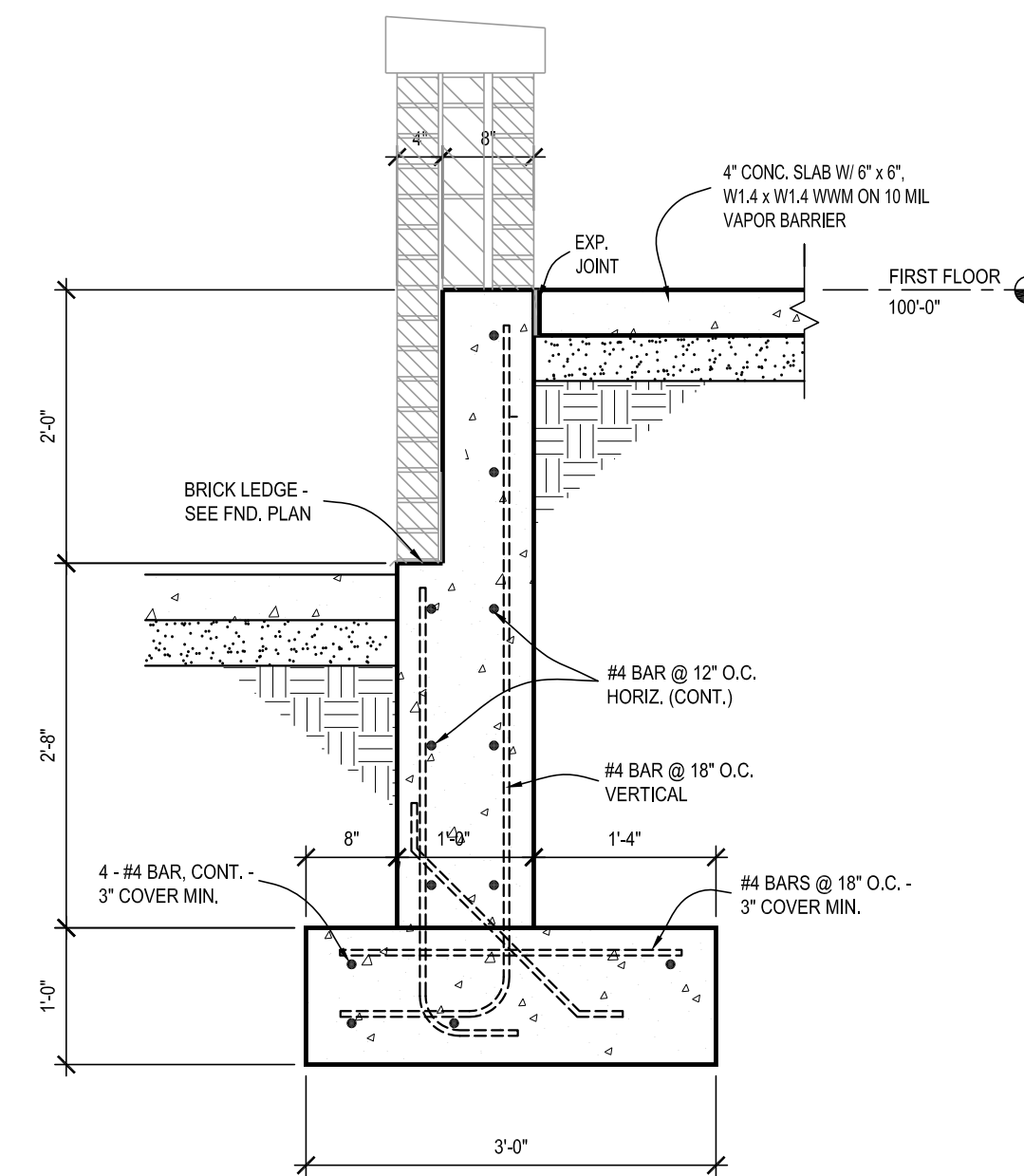
F1/P1 FTG. / PIER SECTION
3/4" = 1'-0"



F2/P2 FTG. / PIER SECTION
3/4" = 1'-0"



ELEVATOR PIT SECTION
3/4" = 1'-0"



GARDEN WALL SECTION
3/4" = 1'-0"